



## Check the Package Contents

Tools required: phillips screwdriver



Ten M6X20 screws



Two 4X12 self-tapping screws



Four M6X15 screws

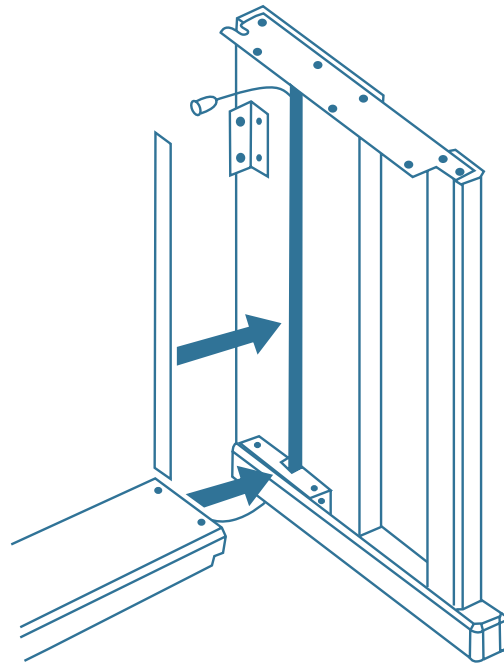


Six 4X16 self-tapping screws

## Assembly

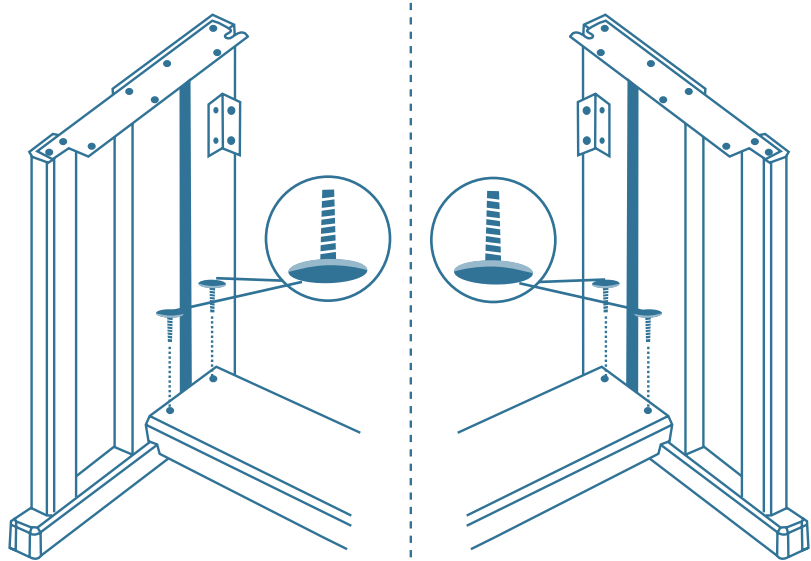
### Laying the Pedal Cable

Take off the cable slot cover. Lay in the pedal cable from the pedal crossbar, then insert the cover.



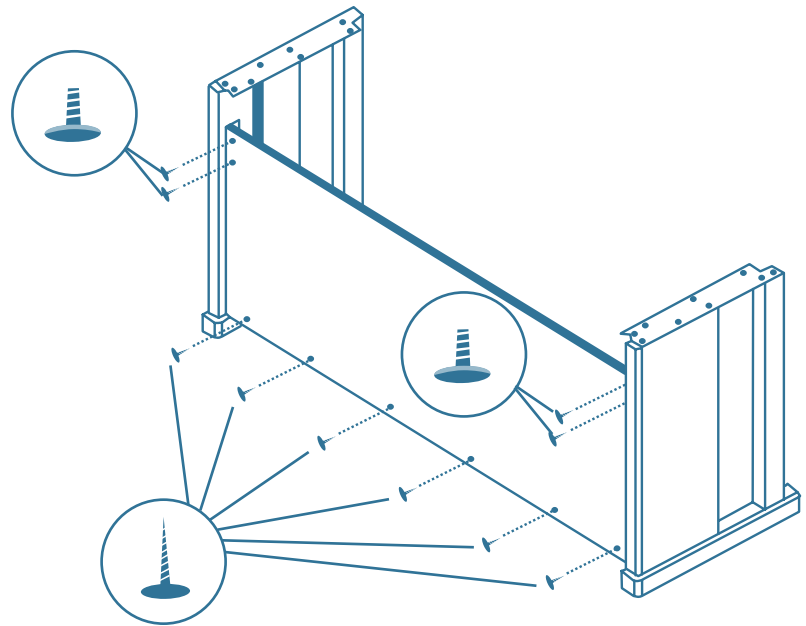
### Cross Bar Installation

Attach the pedal crossbar to the leg with the M6X20 screws.



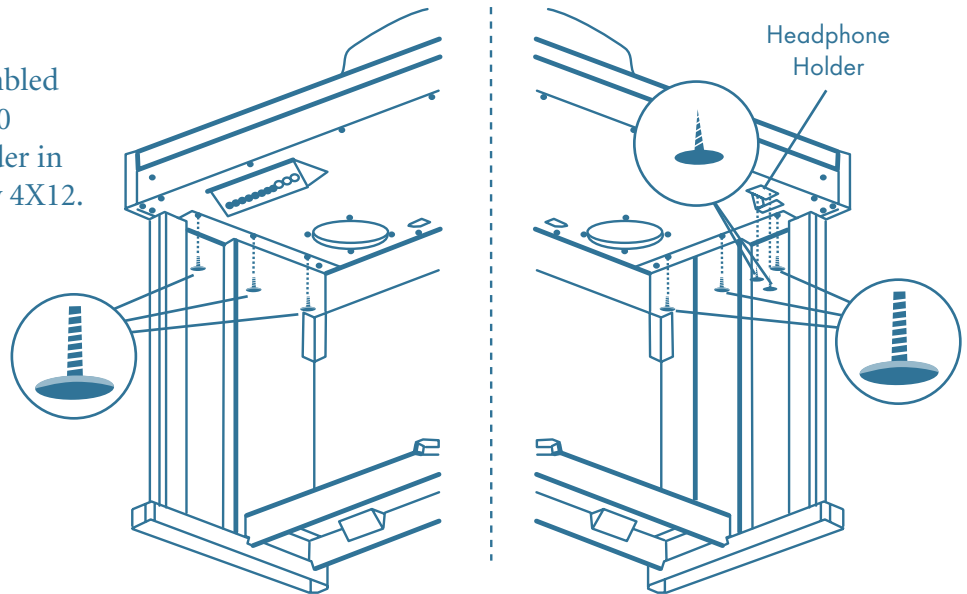
## Backboard Installation

Attach the back board to the legs with M6X15 and 4X16 screws.



## Final Installation

Place the piano body on the assembled stand and attach it with the M6x20 screws. Install the headphone holder in the proper location with the screw 4X12. Plug the pedal connector into the socket on the bottom.



## Power Supply Connection

Plug the power cord into the receptacle located on the bottom of the piano. Plug the 3-pin plug into the socket and the other end of the cord to the AC wall outlet.

