



Before enjoying your new Williams electronic piano, take a moment to read this simple assembly sheet. Follow these instructions, and you'll have your piano up and running in just a few short minutes.

Check the Package Contents



Eight large **A** screws



Four large self-tapping **C** screws



Two small **B** screws



Two small self-tapping **D** screws



Headphone
Holder

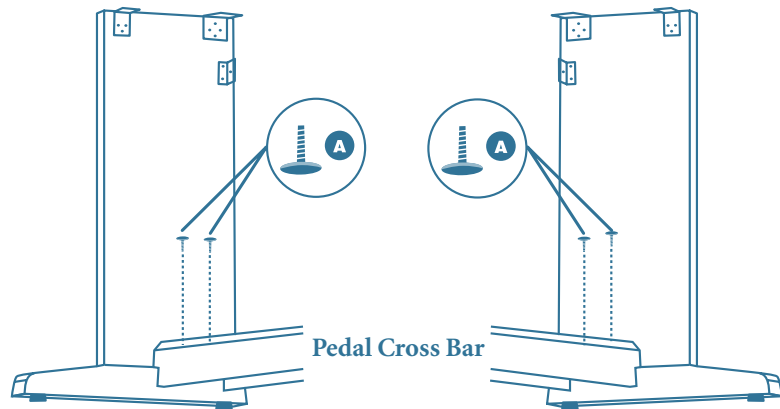
Assembly

Tool required: Phillips screwdriver

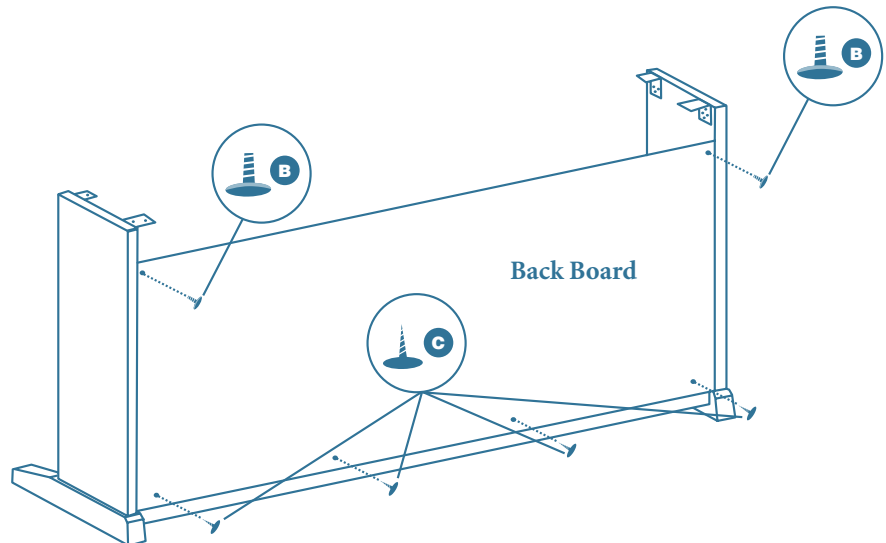
Sideboard (Left)

Sideboard (Right)

Install the Pedal Cross Bar

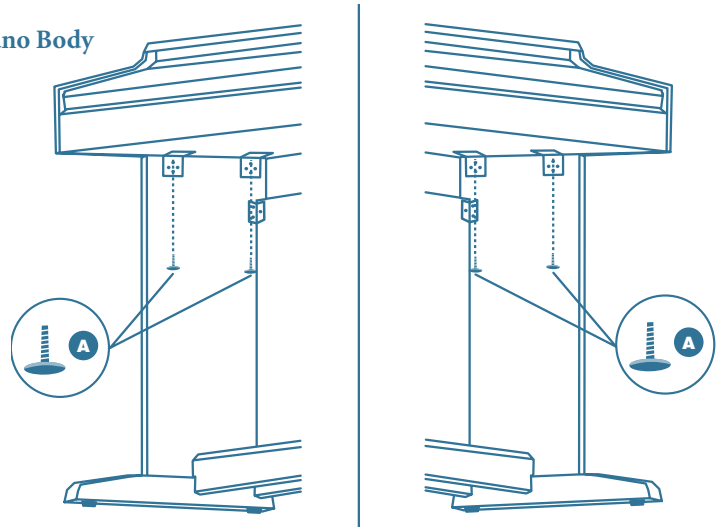


Install the Back Board

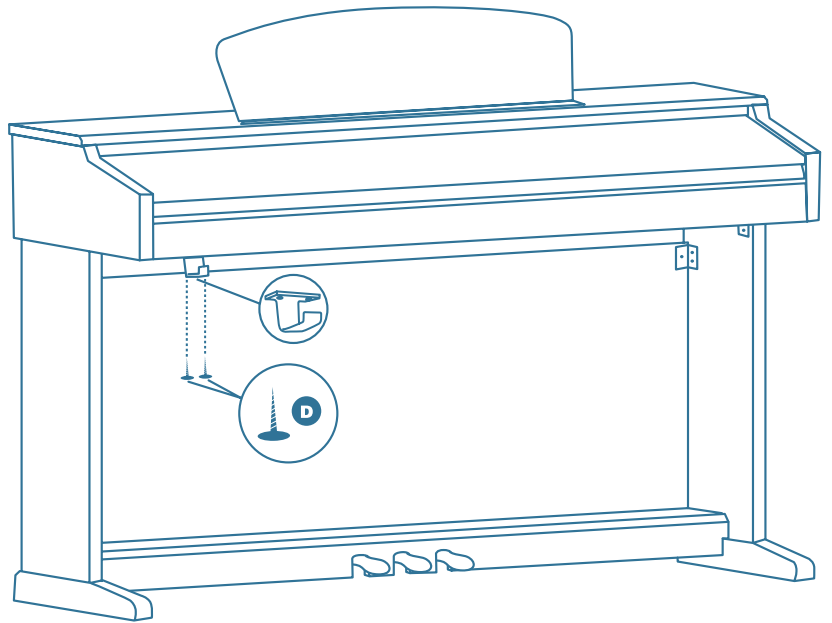


Attach the Piano Body

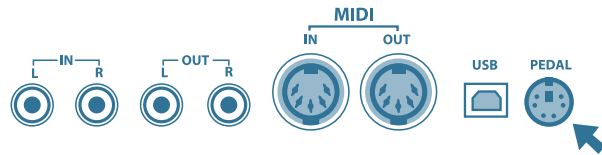
Piano Body



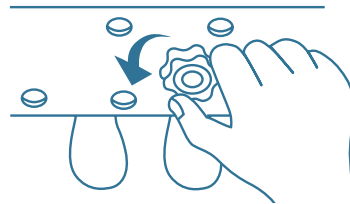
Install the Headphone Holder



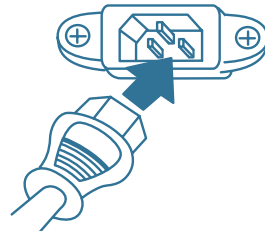
Plug in Pedal Cable



Screw Down the Brace Pedal Knob (to secure Pedal Cross Bar to floor)



Plug in the Power Cord



Now that the piano is fully assembled, make sure to read the enclosed user's manual to get the most enjoyment from your new Williams piano.