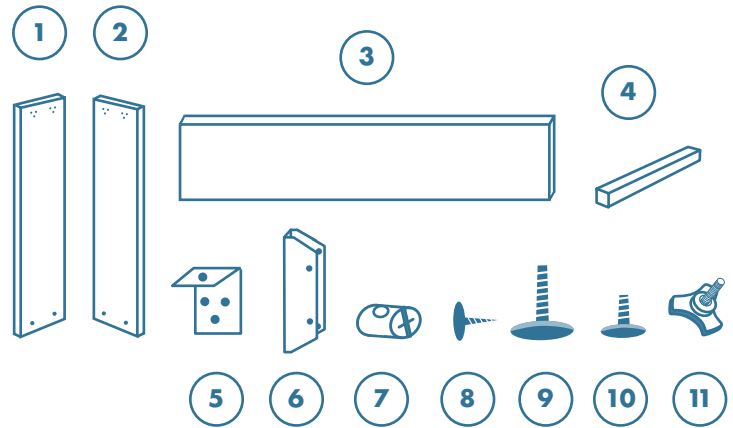




Check the Package Contents

ITEM	QUANTITY
1. LEFT STAND LEG	1
2. RIGHT STAND LEG	1
3. CROSS BOARD	1
4. FOOT	2
5. BRACKET	4
6. CROSS BOARD BRACKET	2
7. INSERT WITH THREADED HOLE	4
8. 4X12 SCREW	20
9. M6X70 SCREW	4
10. M6X30 SCREW	4
11. SCREW KNOB	4

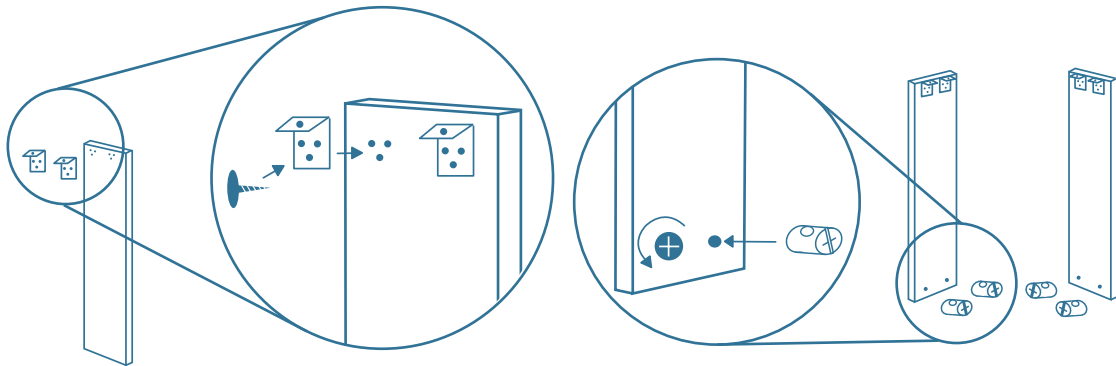
Tools required: phillips screwdriver



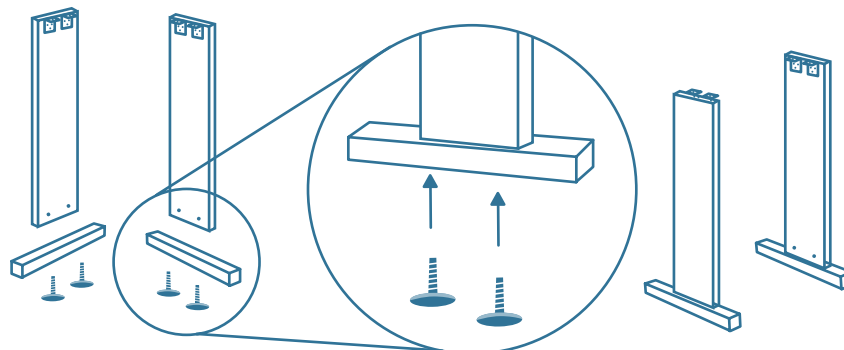
Assembly

Assemble the Stand Legs

1. Align the circular holes on bracket with the left and right stand legs.
2. Insert the 4X12 screws into the holes and fasten.

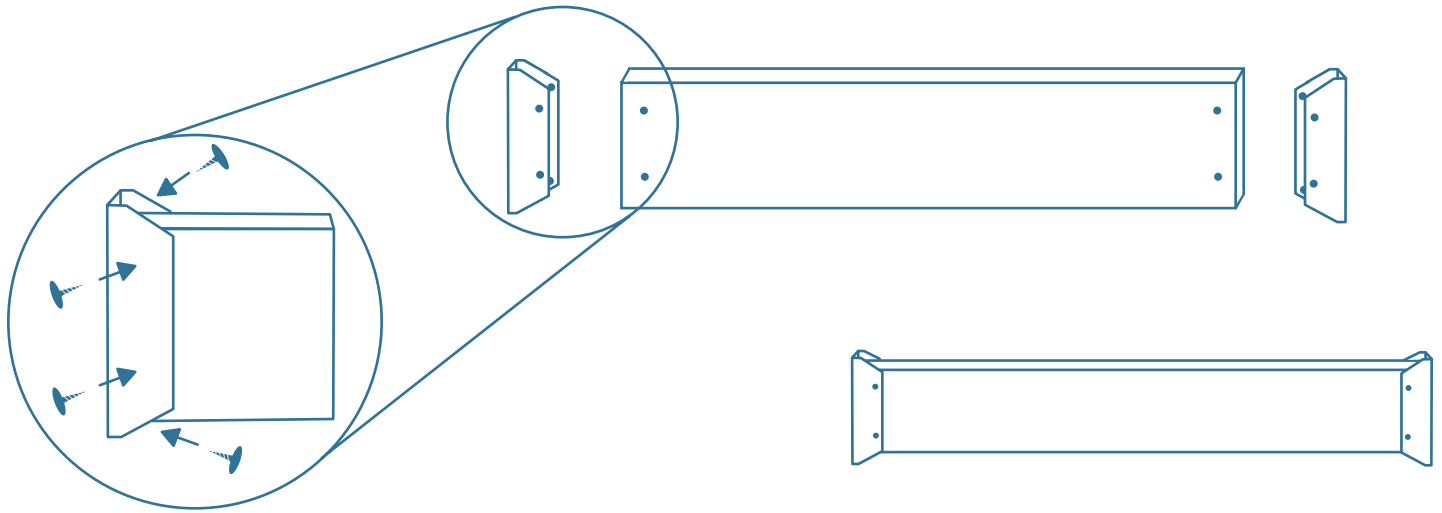


3. Place the threaded insert into the hole on the stand leg. Rotate the threaded insert using a screw driver to align the screw holes with the hole in the foot bottom.
4. Insert the M6X70 screws to the holes in the foot and align with the threaded holes of the insert in the side board and fasten.



Assemble the Cross Board

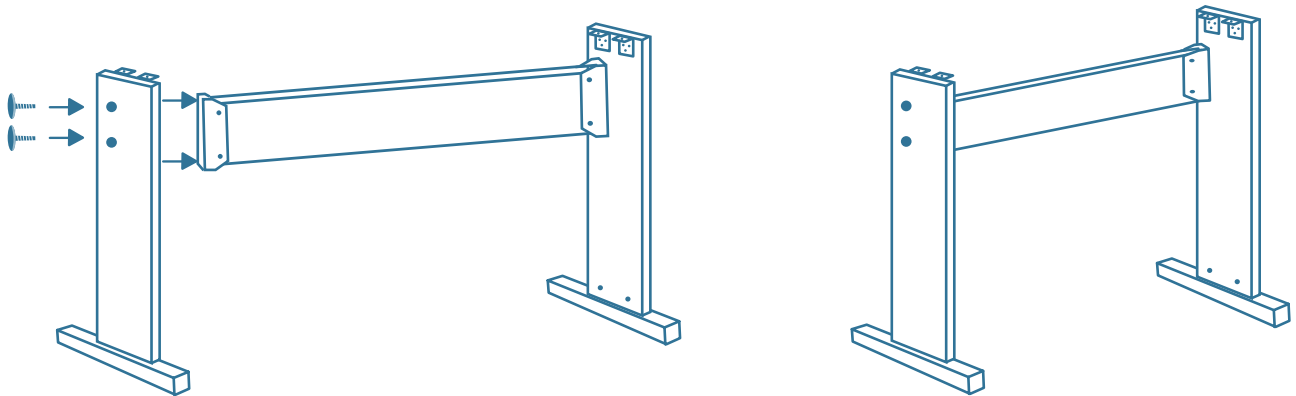
5. Place the cross board brackets on the cross board and fasten with 4X12 screws.



Assemble the Piano Stand

6. Align the circular holes on the end of the cross board assembly with the right and left stand leg assembly.

7. Insert the M6X30 screws into the holes and fasten.



Attaching the Piano to the Stand

Place the piano on the stand. Align the circular holes on the side board brackets with the holes on the body. Insert the screw knobs into the holes and fasten.

NOTE: Do not tighten the screw knobs until all screw knobs have been inserted.

